



Fan convector PF Smart

Fan convector with smart functions for fast and efficient heating

With its smart functions and streamlined design, the PF Smart fan convector is the perfect choice for fast and efficient heating. The PF Smart is suitable for most environments including offices and homes. It is ideal for installation in premises that are used rarely, such as weekend cottages and assembly halls where rapid heating is desirable. In addition, the PF Smart can be remotely controlled so that the premises is warm by the time you arrive.

With a fan convector, energy consumption is lower than with a convector without a fan because the airflow balances out the temperature difference between the floor and ceiling. Its excellent drying properties are very useful in garages, cellars/basements and toilet and bathroom facilities.

During installation, a maximum surface temperature of 60 °C can be selected, which makes it particularly suitable for use in preschools, after-school recreation centres and toilet and bathroom facilities.

The PF Smart fan convector has an attractive, streamlined design with a white-lacquered aluminium front. The front can be easily removed and painted any colour you wish.

- The PF Smart fan convector is available in the following versions:
 - **PFSE** is equipped with a 1.2 metre long cord with plug for connection to an earthed power socket (230V~). Can be used as a portable unit – the floor stand is available as an accessory.
 - **PFSD** is intended for fixed installation (400V2~).
- Low sound level.
- Digital display.
- Built-in digital thermostat +5 – +30 °C.
- Adjustable fan mode.
- Functions for remote control, energy savings and comfort.
- Selectable maximum surface temperature 60 / 90 °C.
- White-lacquered aluminium front. Naturally oxidised aluminium exhaust grille. ABS plastic ends.
Front colour: white, RAL 9016, NCS S 0500-N.
Ends colour: grey, RAL 7046.

Fan convector PFSE with 1.2 m cord and plug. (IP24)

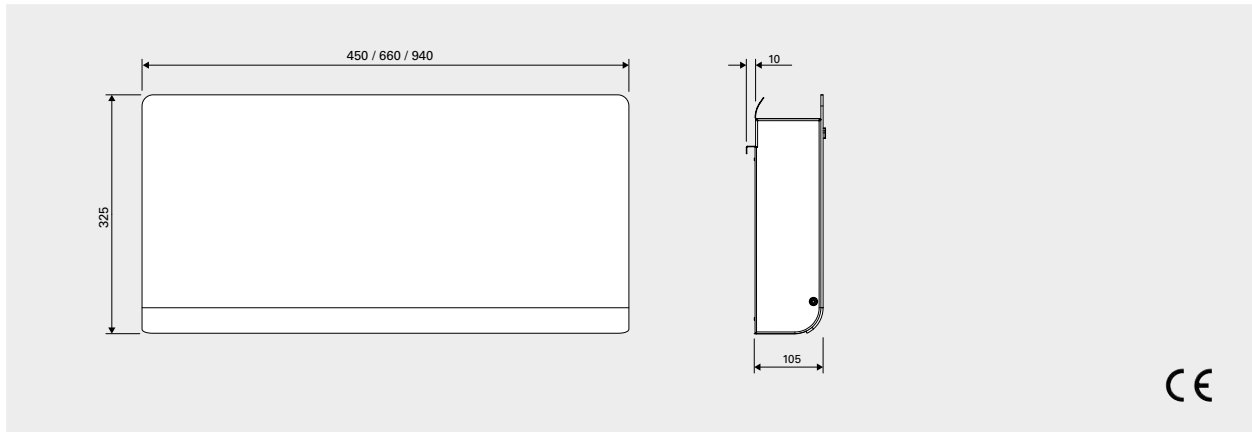
Type	Output [W]	Airflow [m³/h]	Sound level* [dB(A)]	Voltage [V]	LxHxD [mm]	Weight [kg]
PFSE4	400	40/60	26,5/37	230V~	450x325x105	4,1
PFSE10	1000	60/100	28/38,5	230V~	660x325x105	5,8
PFSE17	1750	100/150	29/40,5	230V~	940x325x105	8,1

Fan convector PFSD for fixed installation. (IP24)

Type	Output [W]	Airflow [m³/h]	Sound level* [dB(A)]	Voltage [V]	LxHxD [mm]	Weight [kg]
PFSD4	400	40/60	26,5/37	400V2~	450x325x105	4,1
PFSD10	1000	60/100	28/38,5	400V2~	660x325x105	5,8
PFSD17	1750	100/150	29/40,5	400V2~	940x325x105	8,1

*) Conditions: Distance to the unit 2 metres. Directional factor: 2. Equivalent absorption area: 12,75 m². At lowest/highest airflow.

Dimensions



Control

Display

The PF Smart Fan convector has a digital display on which all settings are made. The temperature is easily changed by pressing the + or – buttons if a different temperature than the preset + 21° C is desired. It is possible to choose between three modes - comfort, reduced mode (night mode) or frost protection.

The fan speed can be set to suit any requirements. PF Smart also has an intelligent week program, which learns when the fan convector need to start to achieve the desired temperature at a certain time in the environment it is used. Using the timer, it is easy to change the room temperature for a limited period.

PF Smart App

PF Smart can also be remotely controlled via an app (iOS, Android) or web browser. This way the heat can be started already in the car on the way to the country cottage or the temperature lowered at home. Via the app, you get an alarm when service problems arise. Requires an RF module per fan convector, hub and wireless Internet connection.

PF Smart display

- Adjustable fan mode: Auto/Low/High/Off.
- Manually choose between comfort temperature, reduced mode (night mode) or Frost protection.
- Time mode: Change the desired room temperature for a limited period
- Ability to set weekly program to automatically switch between comfort temperature and reduced mode.
- Child/screen lock
- Integrated Open window mode for energy savings

Alarm indication
Automatic switchover between daylight saving/summer time and winter time

Accessories

PFSS, floor stand

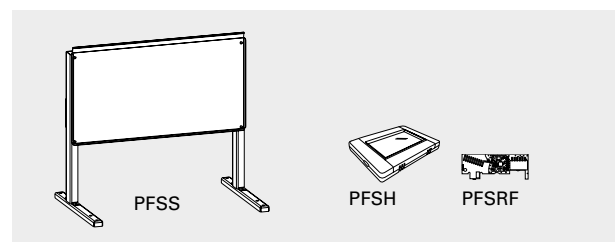
Floor stand for PFSE that enables portable use.

PFSRF, RF module

RF module for easy control of the fan convector via the app. One module is required for each fan convector.

PFSH, Hub

Hub that connects wirelessly to a network. Can control up to 50 zones.



Type	Description
PFSS4	Floor stand for PFSE4
PFSS10	Floor stand for PFSE10
PFSS17	Floor stand for PFSE17
PFSRF	RF module
PFSH	Hub

По вопросам продаж и поддержки обращайтесь:

Архангельск (8182)63-90-72
Астана +7(7172)727-132
Астрахань (8512)99-46-04
Барнаул (3852)73-04-60
Белгород (4722)40-23-64
Брянск (4832)59-03-52
Владивосток (423)249-28-31
Волгоград (844)278-03-48
Вологда (8172)26-41-59
Воронеж (473)204-51-73
Екатеринбург (343)384-55-89
Иваново (4932)77-34-06
Ижевск (3412)26-03-58
Казань (843)206-01-48

Калининград (4012)72-03-81
Калуга (4842)92-23-67
Кемерово (3842)65-04-62
Киров (8332)68-02-04
Краснодар (861)203-40-90
Красноярск (391)204-63-61
Курск (4712)77-13-04
Липецк (4742)52-20-81
Магнитогорск (3519)55-03-13
Москва (495)268-04-70
Мурманск (8152)59-64-93
Набережные Челны (8552)20-53-41
Нижний Новгород (831)429-08-12
Новокузнецк (3843)20-46-81

Новосибирск (383)227-86-73
Омск (3812)21-46-40
Орел (4862)44-53-42
Оренбург (3532)37-68-04
Пенза (8412)22-31-16
Пермь (342)205-81-47
Ростов-на-Дону (863)308-18-15
Рязань (4912)46-61-64
Самара (846)206-03-16
Санкт-Петербург (812)309-46-40
Саратов (845)249-38-78
Севастополь (8692)22-31-93
Симферополь (3652)67-13-56
Смоленск (4812)29-41-54

Сочи (862)225-72-31
Ставрополь (8652)20-65-13
Сургут (3462)77-98-35
Тверь (4822)63-31-35
Томск (3822)98-41-53
Тула (4872)74-02-29
Тюмень (3452)66-21-18
Ульяновск (8422)24-23-59
Уфа (347)229-48-12
Хабаровск (4212)92-98-04
Челябинск (351)202-03-61
Череповец (8202)49-02-64
Ярославль (4852)69-52-93

Киргизия (996)312-96-26-47

Казахстан (772)734-952-31

Таджикистан (992)427-82-92-69

Эл. почта: for@nt-rt.ru || Сайт: <http://frivent.nt-rt.ru>